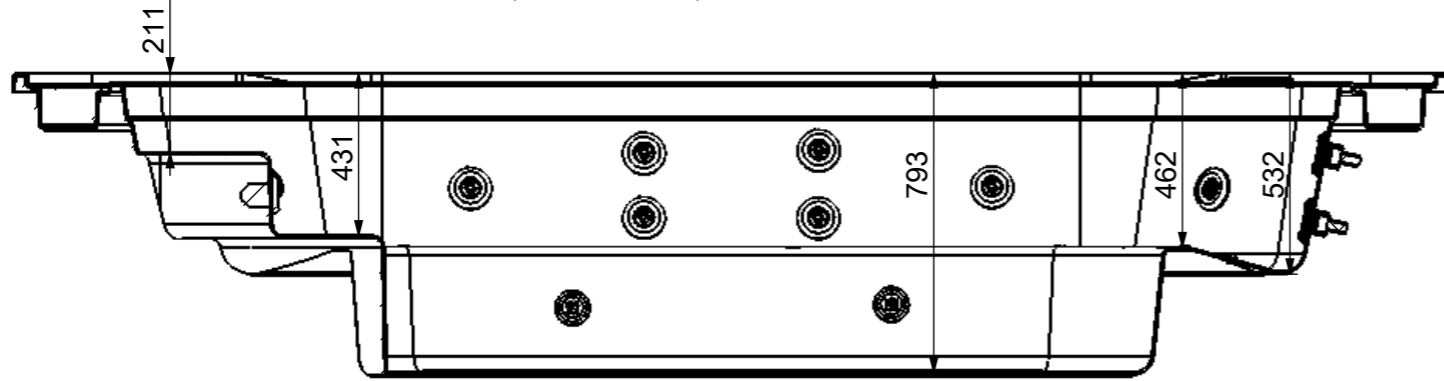


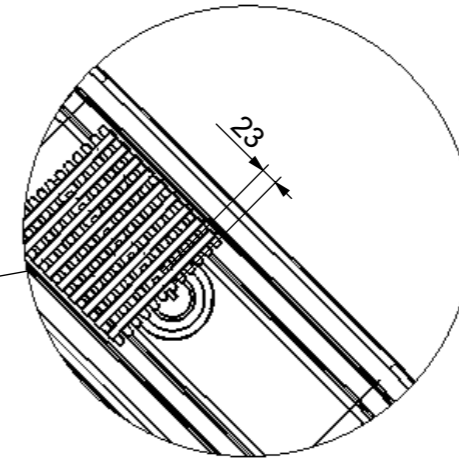
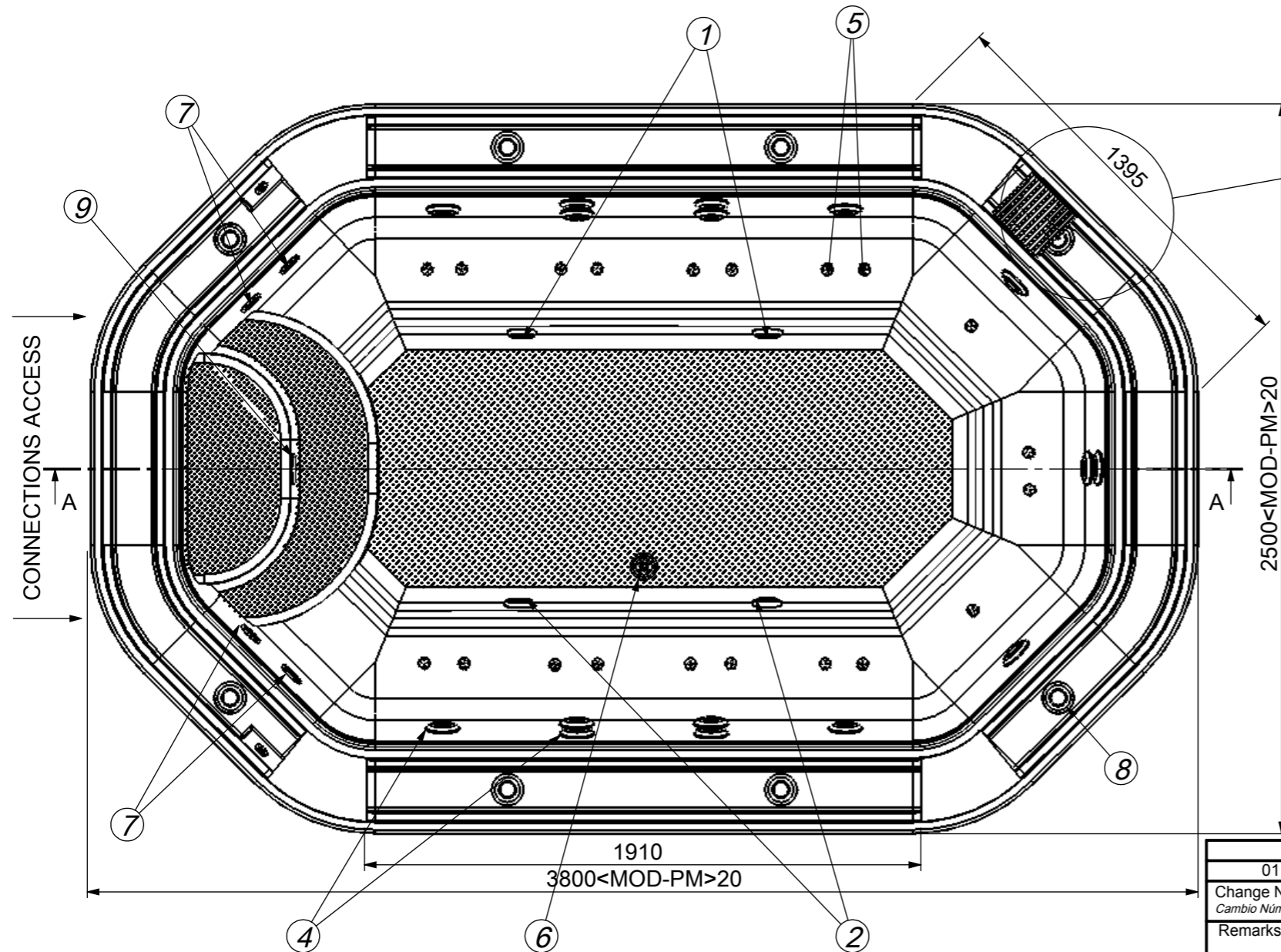
SPA OCTAGON 3,8 x 2,5 m STEPS AT THE END



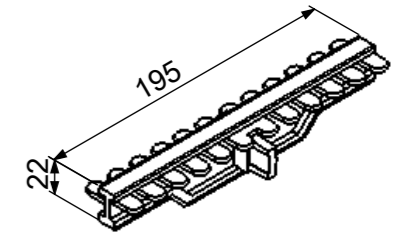
SECTION A-A

	26440	43744
	METRIC	BRITISH STANDARD
1 Suction-Water Massage Pump 1	1x 63 mm FS	1x 2" FS
2 Suction-Water Massage Pump 2	1x 63 mm FS	1x 2" FS
3 Return-Water Massage Pump 1	1x 63 mm FS	1x 2" FS
4 Return-Water Massage Pump 2	1x 63 mm FS	1x 2" FS
5 Return-Air Massage	1x 63 mm FS	1x 2" FS
6 Suction/Return-Filtration Pump Bottom Spa	1x 63 mm FS	1x 2" FS
7 Return-Filtration Pump Inlets	2x 63 mm FS	2x 2" FS
8 Overflow Drains	8x 75mm FS	8x 2'5" FS
9 Light (Optional)	Optional	Optional

FS: Female Solvent Socket



DETAIL C
SCALE 1:10



DETAIL GRID
SCALE 1:4

Dimensions in mm.



CC/SC Critical or Significant Characteristics

01	16/11/09	M.Freixes	Updating dimensions		
Change No. Cambio Núm.	Date Fecha	Name Nombre	Modification Modificación		
Remarks Observaciones					
Drawn Dibujado	Date Fecha	Name Nombre	Part Name Nombre	Part Number Número	Rev No.
Checked Verificado	17-03-09	A.Deu	Dimensional Drawing	26440 / 43744	01
Scale Escala	General Tolerance Tolerancias Generales DIN 7168 ISO 2768g				
			Article number Num. Artículo	Drawing type Tipo de plano	Weight Peso (g)
			26440 / 43744	General Dimensions	Surface Hardness Shore A
					First Angle Projection