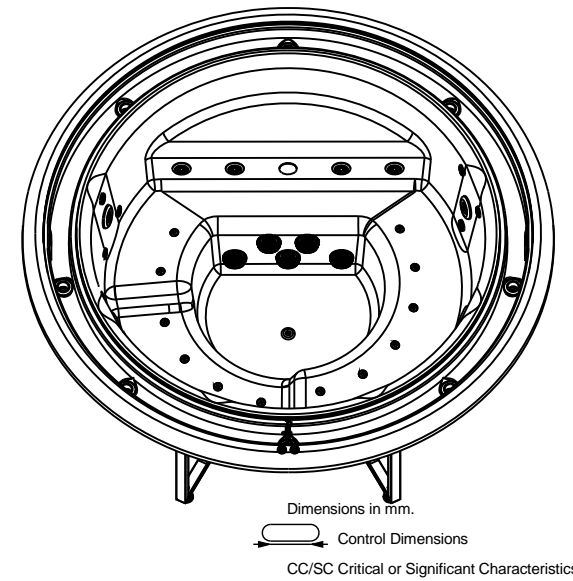
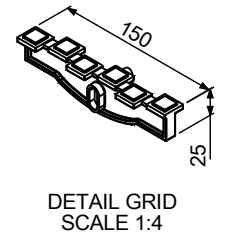
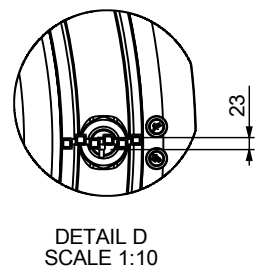
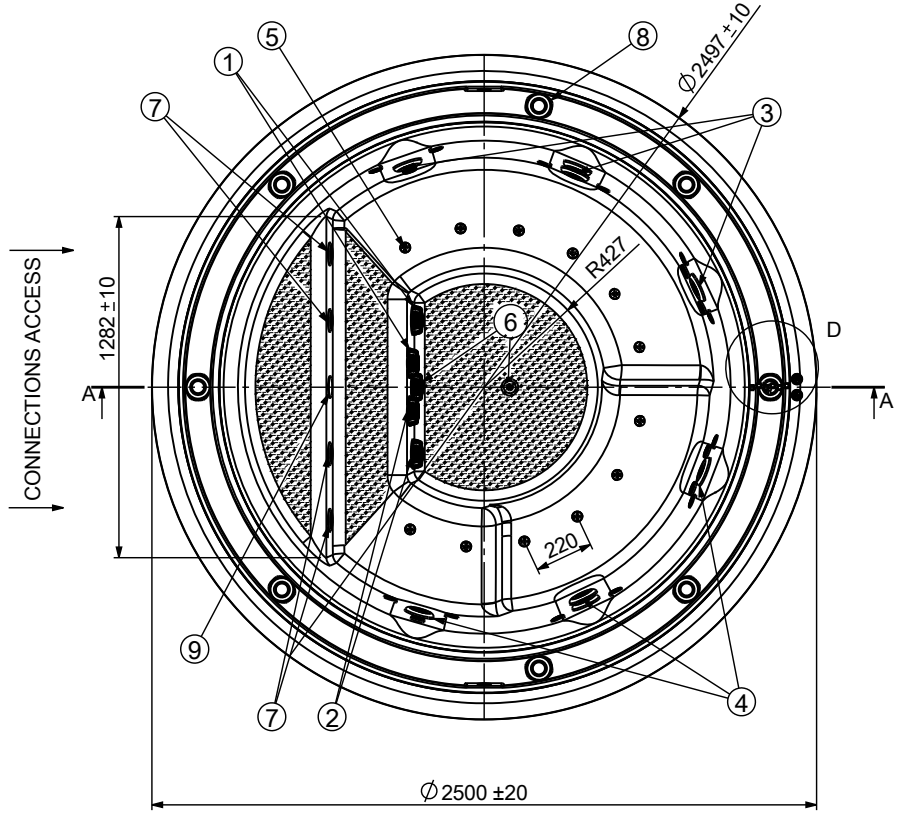
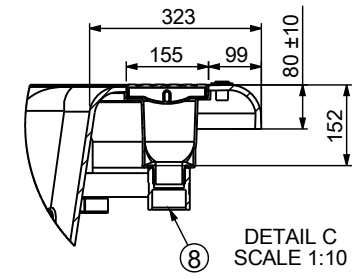
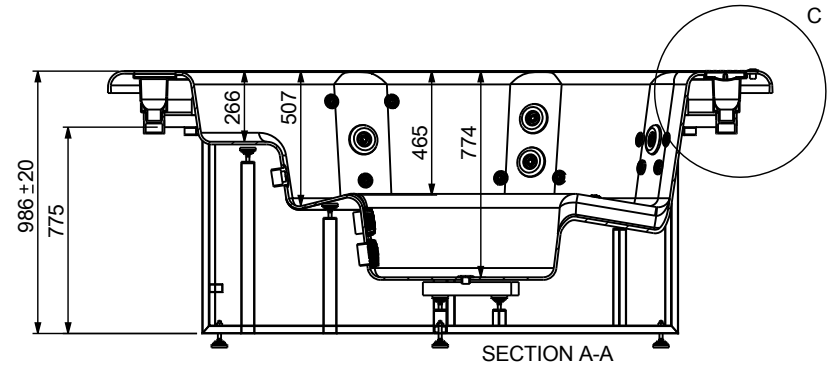


# 44630 SPA MOSAIC 40 $\varnothing$ 2,5m

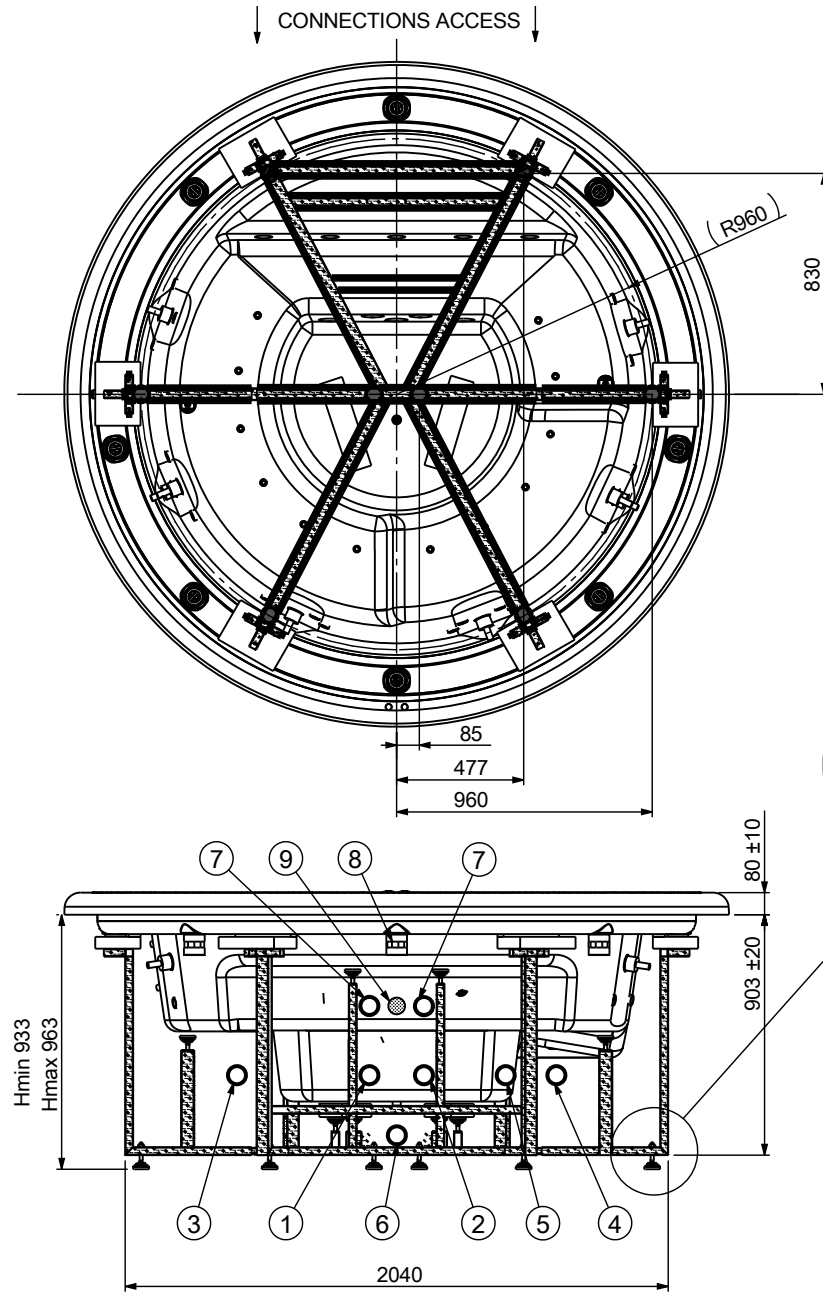
44630 SPA MOSAIC 40	
1	Suctions-Water Massage Pump 1
2	Suctions-Water Massage Pump 2
3	Jets-Water Massage Pump 1
4	Jets-Water Massage Pump 2
5	Air Massage Inlets
6	Suction/Return-Filtration Pump Bottom Spa
7	Return-Filtration Pump Inlets
8	Overflow Drains
9	Light



01	11/06/10	M.Freixes	Attach structure and dimensions		
00	13/05/09	M.Baraut	Drawing creation		
Change No. Cambio Núm.	Date Fecha	Name Nombre	Modification Modificación		
Remarks Observaciones					
Drawn Dibujado	Date Fecha	Name Nombre	Part Name Nombre	Part Number Número	Rev No.
Checked Verificado	13-05-09	A.Deu	Dimensional Drawing	44630SP015 44630SP016	01
Scale Escala	1:20	General Tolerance Tolerancias Generales DIN 7168 ISO 2768g		Material	Surface Coating Acabado Superficial
			Article number Num. Artículo 44630SP015 44630SP016	Drawing type Tipo de plano General Dimensions	Weight Peso (g)
				Surface Hardness Shore A	First Angle Projection

Don't use without permission. Keep this information confidential and use it solely for the permitted purpose.

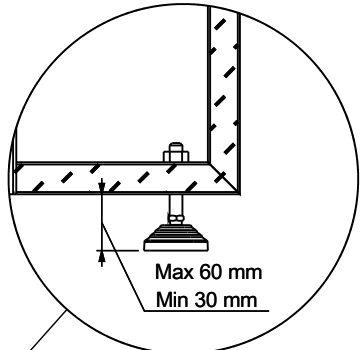
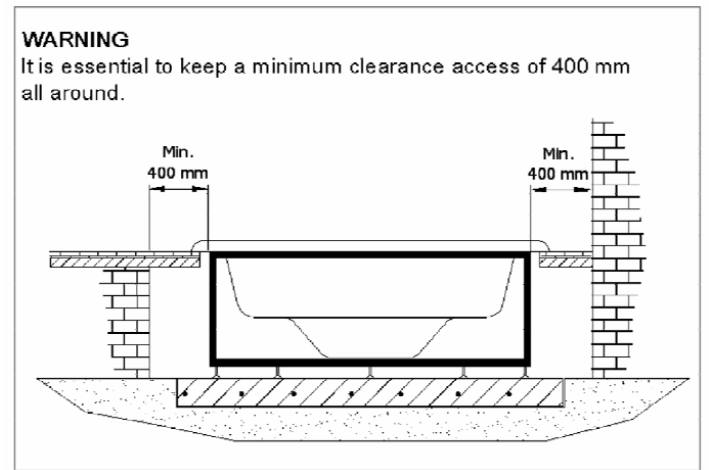
# 44630 SPA MOSAIC 40 $\varnothing$ 2,5m



SPA MOSAIC 40		44630
1	Suction-Water Massage Pump 1	1x $\varnothing$ 2" FT
2	Suction-Water Massage Pump 2	1x $\varnothing$ 2" FT
3	Return-Water Massage Pump 1	1x $\varnothing$ 2" FT
4	Return-Water Massage Pump 2	1x $\varnothing$ 2" FT
5	Return-Air Massage	1x $\varnothing$ 2" FT
6	Suction/Return-Filtration Pump Bottom Spa	1x $\varnothing$ 2" FT
7	Return-Filtration Pump Inlets	2x $\varnothing$ 2" FT
8	Overflow Drains	8x $\varnothing$ 63mm FS
9	Light	1 un.

FT: BSP Female Thread  
FS: Female Solvent Socket

Minimum depth of the spa hole 950 mm.



DETAIL A  
SCALE 1:5

Change No. Cambio Núm.	Date Fecha	Name Nombre	Modification Modificación
Remarks Observaciones			
Drawn Dibujado	13-05-09	M.Baraut	Installation Drawing
Checked Verificado	13-05-09	A.Deu	
Scale Escala	General Tolerance Tolerancias Generales DIN 7168 ISO 2768g		Material
1:20			Surface Coating Acabado Superficial
		Article number Num. Artículo	Drawing type Tipo de plano
		44630SP015 44630SP016	Weight Peso (g)
			Surface Hardness Shore A
			First Angle Projection

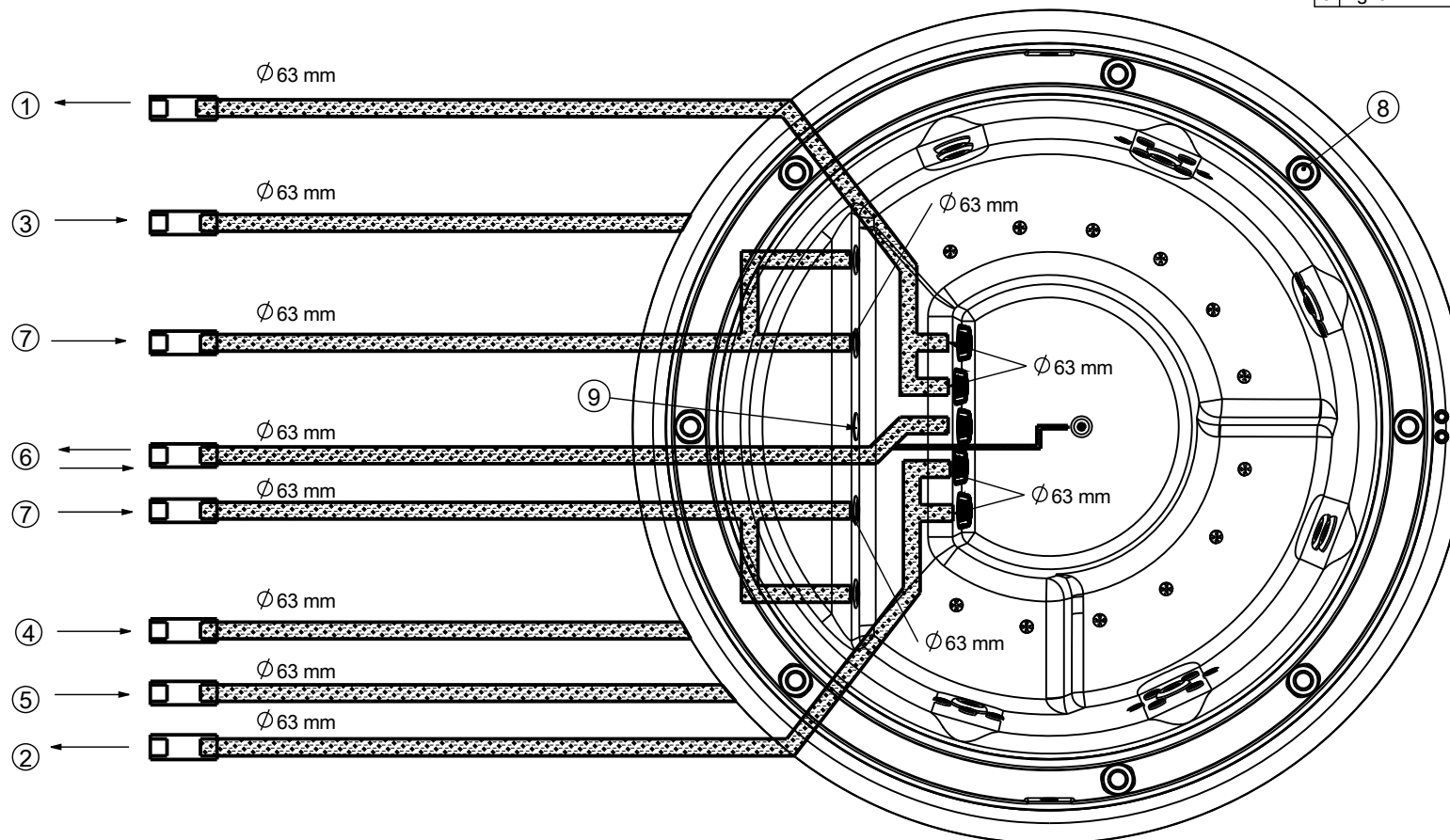
DIMENSIONS IN MM. General tolerances  $\pm$ 10 mm.  
WE RESERVE THE RIGHT TO CHANGE ALL OR PART OF THIS ARTICLE FEATURES

Don't use without permission. Keep this information confidential and use it solely for the permitted purpose.

# 44630 SPA MOSAIC 40 $\varnothing$ 2,5m

SPA MOSAIC 40		44630
1	Suction-Water Massage Pump 1	1x $\varnothing$ 2" FT
2	Suction-Water Massage Pump 2	1x $\varnothing$ 2" FT
3	Return-Water Massage Pump 1	1x $\varnothing$ 2" FT
4	Return-Water Massage Pump 2	1x $\varnothing$ 2" FT
5	Return-Air Massage	1x $\varnothing$ 2" FT
6	Suction/Return-Filtration Pump Bottom Spa	1x $\varnothing$ 2" FT
7	Return-Filtration Pump Inlets	2x $\varnothing$ 2" FT
8	Overflow Drains	8x $\varnothing$ 63mm FS
9	Light	1 un.

FT: BSP Female Thread  
FS: Female Solvent Socket



\*The distribution of the connections can be changed

NUMBER AND DISTRIBUTION OF JETS CAN CHANGE DEPENDING ON THE VERSION

DIMENSIONS IN MM.

WE RESERVE THE RIGHT TO CHANGE ALL OR PART OF THE FEATURES OF THIS ARTICLE

Change No. Cambio Núm.	Date Fecha	Name Nombre	Modification Modificación
Remarks Observaciones			
Drawn Dibujado	Date Fecha	Name Nombre	Part Name Nombre
Checked Verificado	Date Fecha	Name Nombre	Part Name Nombre
Scale Escala	General Tolerance Tolerancias Generales		Material
1:15	DIN 7168 ISO 2768g		Surface Coating Acabado Superficial
		Article number Num. Artículo	Drawing type Tipo de plano
		44630SP015 44630SP016	Weight Peso (g)
		Connections Detail	Surface Hardness Shore A
			First Angle Projection

Don't use without permission. Keep this information confidential and use it solely for the permitted purpose.